



March 2021

Alaska Chapter Newsletter Hot Gas Bypass

ASHRAE Monthly Meeting Information

Presentation:

Renewable Energy Alaska Project

By:
Chris McConnell

Date:
Thursday, Mar 18, 2021

Time:
12:00 pm

Cost:
Free

Location:
GoTo Meeting Online

<https://www.gotomeet.me/RSam20>

Phone:
1-872-240-3412

Access Code:
264-465-621

Alaska Chapter Officers and Chairs

[Cheyenne Alabanzas](#), President

calabanzas@rsa-ak.com

[Sam Ratnasigamani](#), President-Elect

samr@rsa-ak.com

[Philip Hayes](#), Secretary

Philip.Hayes.2@outlook.com

[Nathan Lang](#), Treasurer

Nathan.Lang@victaulic.com

[Blake Burley](#), Fairbanks Section President

blake@designalaska.com

[Jeff Hurd](#), Grassroots Gov. Advocacy

Jeff.hurd@awwu.biz

[Greg Jernstrom](#), Membership Promotion

greg@jernstromengineering.com

[Mak Kampen](#), Student Activities

Matthew.Kampen@conocophillips.com

[Elena Hartford](#), YEA

ehartford@mechanicalsales.com

[Zane Boylan](#), CTTC Chair

zane@msi-ak.com

[Nathan Zeigler](#), Research Promotion

Nathan.zeigler@contractor.conocophillips.com

[Jan Van Den Top](#), Historian

janvdtop@acsalaska.net

Alaska ASHRAE Chapter

PO Box 244503

Anchorage, AK 99524

President's Message:

Alaska ASHRAE Members,

Hard to believe we just have a couple more months left before we break for summer! I hope you are all enjoying the extra sunshine we've been getting. I would like to thank those of you who attended the February meeting. It was well-attended and there was a lively discussion at the end, so thank you all for participating. As well, thank you to those who contributed and/or volunteered during Engineering Month in any capacity. It is always appreciated.

We have a couple of exciting things happening this month. I ask that you save the dates, as we have a few events coming up in the next couple of months!

Thursday, March 18th - First off is a presentation from Chris McConnell of the Renewable Energy Alaska Project (REAP). Chris will be talking about his work on creating visual narratives using ARC/GIS, drone imagery and 3D photogrammetry. From what I'm gathering, some engineering firms are already using this in lieu of (or in addition to) site visits to help them get to know areas of projects better, especially in remote Alaskan communities. It should be another interesting talk, which I hope you can attend.

Wednesday, March 31st - Secondly, we have a bonus program this month! As we have announced over the last couple of meetings, we will be having a **virtual presidential visit** by the Society president, Chuck Gullede. This event will be attended by other chapters in Region XI, which includes Western Canada and the Pacific Northwest. I hope that Alaska can have a good representation during this meeting!

Friday, May 7th - Third, we have secured the date for the **RP Shootout!** Similar to the 2020 Golf Tournament setup, we plan this to have staggered starts in order to encourage participation with social distancing rules in place. Please save the date and I hope you consider participating in this favorite fundraiser!

Last but not the least, **Chapter elections are coming up this month.** I will be sending out a link to all members and will be making it available for a week for everyone to vote, so please watch out for that!

Thank you all for your flexibility during this time, and I hope that you are all continuing to be safe and well. The upcoming chapter election is a sign of my term as president coming to an end. It has been a unique situation, and I was not able to meet most members in person. However, I have appreciated the fact that we were able to adjust to this situation as a chapter, and with everyone's continued support, I can say that the ASHRAE chapter has maintained presence during the year. As I always say, the work of your local ASHRAE chapter is highly dependent on the cooperation between volunteers and membership, so please cast your vote and give us feedback as to what you'd like to see!

Sincerely,

Cheyenne Alabanzas
2020-21 ASHRAE President
President, Alaska Chapter ASHRAE
calabanzas@rsa-ak.com



March Meeting

Presented By:
Chris McConnell,
Renewable Energy Alaska
Project

Date:
Thursday,
March 18th, 2021

Time:
12:00 pm AKDT

Link:
[https://www.gotomeet.me/
RSam20](https://www.gotomeet.me/RSam20)

Phone number:
[+1 \(872\) 240-3412](tel:+1(872)240-3412)

Access Code: 264-465-621

Chris McConnell, REAP



As Director of REAP's Alaska Network of Energy Education and Employment (ANEED) since 2017, Chris McConnell works to maximize energy literacy and training opportunities at the K-12, vocational, and University levels so that Alaskans can more easily identify and embark on career pathways in the energy sector. Chris seeks to regularly

convene and unite various federal, state, private and non-profit organizations in order to create alignments, leverage shared goals and identify potential efficiencies.

Mr. McConnell has worked with a variety of Alaskan energy stakeholders, state and federal agencies to prototype an *Alaskan Energy Ecosystem Map (AEEM)* a tool meant to utilize ARC/GIS, drone imagery and 3D photogrammetry to create a visual narrative that furthers energy literacy, workforce development and a holistic understanding of how energy flows through remote Alaskan communities. His presentation will feature aspects of his current work, describe best practices and to discuss other practical applications of these technologies in other sectors.

Region XI—Virtual Presidential Visit

Presentation

The ASHRAE Digital Lighthouse and Industry 4.0

Presented By:

**ASHRAE Society President
Chuck Gulledge**

Date:

Wednesday, March 31st, 2021

Time:

11am-12:30pm

Lnk:

<https://global.gotomeeting.com/join/725411381>

Phone numbers:

United States: [+1 \(571\) 317-3116](tel:+15713173116)

Canada: [+1 \(647\) 497-9373](tel:+16474979373)

Access Code: 725-411-381

2020-21 ASHRAE Society President Chuck Gulledge



Charles E. Gulledge III, P.E., HBDP, LEED AP, Fellow ASHRAE, is ASHRAE's President for the 2020-21 term. Gulledge previously served on the ASHRAE Board of Directors as president-elect, treasurer, vice president and director-at-large.

For his time and dedication to ASHRAE and the industry, he is the recipient of numerous awards including the Exceptional Service Award, Distinguished Service Award, Chapter Service Award, Regional Award of Merit, two ASHRAE Technology Awards and the Dan Mills Technology Award.

His theme for the 2020-21 ASHRAE Society Year is *"The ASHRAE Digital Lighthouse and Industry 4.0."*

"Why should we engage in digital transformation? To gain a competitive advantage amongst our peers, position ourselves as the go-to resource for clients, improve margins, provide greater value, and attract and retain a digitally skilled workforce."

In addition to his time served on the Board of Directors, Gulledge has served as chair of the Members Council and the President-Elect Advisory Committee, chair of the Finance Committee, chair of the Standards Membership Ad Hoc Committee, chair of the Development Committee for Fundraising, and as an ASHRAE Distinguished Lecturer. He has held ASHRAE Society-level leadership roles on many standing committees, technical committees and presidential ad hoc committees.

Gulledge's theme focuses on reimagining the building industry and ASHRAE's place in it by integrating not only industry segments, but also technology.

"Digital transformation is not simply associated with adopting new technical solutions. Knowledge needs to be captured and linked in such a way that ALL relevant stakeholders' benefit. Doing so requires understanding of how to collect, store, and analyze data; so that it is insightful and actionable."

In addition to his contributions to ASHRAE, Gulledge's career in HVAC spans over 36 years. He entered the industry as an engineer-in-training with Parsons Brinckerhoff Quade & Douglas, working on transit system infrastructure, vehicular tunnels and moveable swing-span bridges. Over his career, he has served the built world in the roles of a consulting engineer, municipal owner and design-build contractor. Gulledge is currently a Senior Mechanical Engineer with Environmental Air Systems, LLC. He is registered as a professional engineer in the states of North Carolina, Georgia, Kentucky, South Carolina, Alabama and Virginia.

Gulledge's comprehensive design, construction and operational portfolio covers a variety of market sectors; including transportation, commercial, educational, institutional, lodging, sports, mission critical, life sciences, healthcare, pharmaceutical, manufacturing, industrial, archival, historical, and hospitality.

Gulledge is a 1983 graduate of North Carolina State University with a Bachelor of Science in Mechanical Engineering.

ASHRAE Alaska & AMCA 2021 RP SHOOTOUT

Date: Friday, May 7th

Where: Birchwood Recreation & Shooting Park

Time: 12:30 - 4:00 PM

Event:

- 1) 5 member teams will be competing in 2 round of skeet and 2 round of Trap
- 2) Each team member will be provided with 4 boxes of Ammunition (100 rounds).
- 3) Shotguns rentals are included in the event cost, (or bring your own).
- 4) Lunch, Snacks and drinks will be provided.

Cost: \$125 per person/\$625 per team

Benefit: All proceeds go to ASHRAE Research Promotion

Additional Info: For additional details and updates see RP Shootout page at: ASHRAEAlaska.com/events

Sign-Up: **Please sign-up by Friday, April 30th**

1) _____ 2) _____
3) _____ 4) _____
5) _____

Range Sponsor: \$250
Company Name for Stand: _____

Shotgun Sponsor: \$250
Company/Individual Name: _____

Ammunition Sponsor: \$500
Company/Individual Name: _____

Payment Method (please circle): Check Invoice
For check payments, please make payable to: "ASHRAE Alaska Chapter"
For invoiced payments, please provide an e-mail to receive the invoice at _____

Contact Phone Number: _____

Contact e-mail Address: _____

ASHRAE Research Promotion

"Big shots are only little shots who keep shooting"
Christopher Morley

"Aim Small Miss Small"
Mel Gibson, The Patriot

Please fill out form and send to:

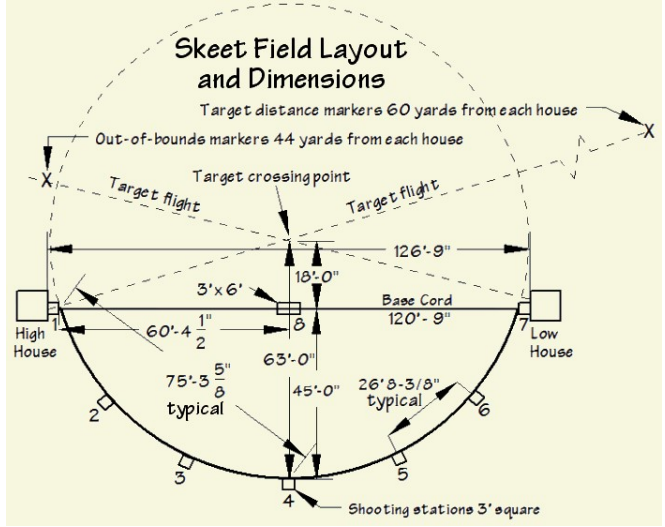
Nathan Zeigler, Alaska Chapter RP Chair
E-mail: nathan.zeigler@contractor.conocophillips.com
Phone: (907) 263-3135



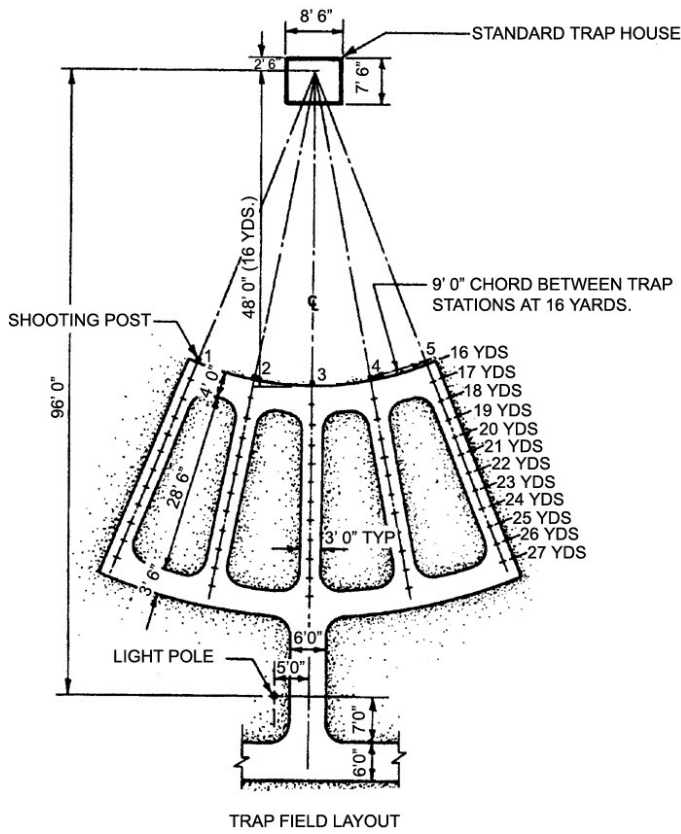
ASHRAE Alaska & AMCA 2021 RP SHOOTOUT

“Big shots are only little shots who keep shooting”
Christopher Morley

“Aim Small Miss Small”
Mel Gibson, The Patriot



Trap Field Layout



TRAP FIELD LAYOUT

ASHRAE Research Promotion



Please fill out form and send to:
Nathan Zeigler, Alaska Chapter RP Chair
E-mail: nathan.zeigler@contractor.conocophillips.com
Phone: (907) 263-3135

Research Promotion:

2020-2021 Research Investors, ASHRAE Alaska Chapter

<u>Organizations</u>		<u>Individuals</u>
<p><u>ASHRAE Associate</u> (\$2,500 - \$4,999) Stinebaugh & Company Anonymous Donors</p> <p><u>Major Donor - Silver</u> (\$1,000 - \$2,499) Alaska Mechanical Contractors Association (AMCA)</p> <p><u>Major Donor - Bronze</u> (\$500 - \$999) Design Alaska Proctor Sales RSA Engineering Victaulic</p>	<p><u>Chapter Recognized Donor</u> (\$150 - \$499) Aaron Plumbing & Heating Co. Alaska Air Balancing Alaska Integrated Services ATS Alaska Brenntag Pacific, Inc. Coffman Engineers Columbia Hydronics Company CRW Engineering Frontier Supply Company Jernstrom Engineering LONG Building Technologies Meridian Systems Inc. PDC Engineers Proctor Sales Inc. Scope Permitting and Engineering Sheet Metal Inc. Tequila 61</p>	<p><u>Major Donor</u> (\$250 - \$2,499) Jan Van Den Top</p> <p><u>Honor Roll Donor</u> (\$150 - \$249) Cheyenne Alabanzas Elena Hartford Phil Hayes Jeff Hurd Nathan Lang Doug LeCren Andrew Lee Tracy McKeon Doug Murray Sam Ratnasigamani Ron Thompson Nathan Zeigler</p>

Fellow ASHRAE Members,

Through your generosity our chapter has currently raised \$17,832 for ASHRAE RP so far this year! Keep it up, your generous contributions will pay back in countless ways to our local and broader industry as a whole!

It is through the funds generated for RP that all ASHRAE codes, standards and design guides are researched, written and implemented into the built environment where we live and work. Thank you for your generous support, it is only through your donations and involvement that we can continue to advance the knowledge, quality and standards for our built environment.

I have often heard the question, "How are my RP donations used?" and "What benefit do RP donations have for Alaska?"

- ASHRAE RP funds are pooled at the society level, then with the entire society's resource potential the funds are redistributed in order to achieve the highest potential output.
- It is through the funds generated for RP that all ASHRAE codes and standards are researched, written and implemented into the built environment that we live in.
- RP funds return to Alaska in various forms such as university research grants, scholarships, and technical committee funding.

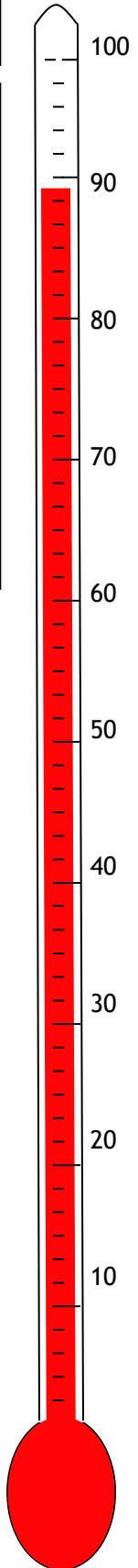
If you are interested in donating towards the future of HVAC&R industry standards and practices please follow one of these three donation options:

- Go to <http://www.ashrae.org/RP> and scroll down the page to select the "ONLINE CONTRIBUTION FORM" link.
- You can mail a check made out to "ASHRAE Research" please put "Alaska Chapter" in the memo line and mail to: ASHRAE RP; 180 Technology Parkway; Peachtree Corners, GA 30092.
- You can also donate when you renew your membership on line. After you have made your selections for renewal the next page is for donations to ASHRAE funded items. About 3/4 of the way down the page you will see Research Promotion. Click "Add to Cart".

If you have already made a donation, your name should appear at the top of this page, if not, please let me know and I will update the page for next month. Please feel free to contact me with any questions about ASHRAE Research Promotion; the ASHRAE Foundation; or the ASHRAE Learning Center.

Thank you very much for all of your support and dedication to your local ASHRAE Chapter.

Sincerely,
Nathan Zeigler
Alaska Chapter Research Promotion Chair
Nathan.Zeigler@contractor.conocophillips.com



Chapter Sponsors:

2020-2021 ASHRAE Alaska Chapter Sponsors

Gold Chapter Sponsor: (\$5,000)**Forget-Me-Not Chapter Sponsor: (\$2,500)****Chapter Meeting Sponsor: (\$1,000)**

Engineering, Inc.

Chapter Web Sponsor: (\$350)**Chapter Newsletter Sponsor: (\$150)**

- Aaron Plumbing & Heating Company
- AMC Engineers
- Coffman Engineers
- Cole Industrial, Inc.
- Columbia Hydronics Company / Glenn Evans
- CRW Engineering Group
- Design Alaska
- duAlaska / Arctic Trace
- Jernstrom Engineering
- J.P. Sheldon Company
- LONG Building Technologies
- MBA Consulting Engineers
- Mechanical Sales / Elena Hartford
- Meridian Systems / Jessi Cherry
- PDC Engineers
- Proctor Sales, Inc. / Troy Nibert
- RSA Engineering
- Siemens Industry / Jim McDonough
- Stinebaugh & Company / Doug Franklin
- Stinebaugh & Company / Connor Doyle
- Stinebaugh & Company / George Hearin
- Stinebaugh & Company / Zach Keller
- Alaska TRANE
- VERTIV / Troy Crow, Jr. PMP
- Victaulic / Nathan Lang

Last year the Alaska Chapter introduced chapter sponsorship levels to help recognize those who have steadfastly supported the Alaska Chapter over the years. Included with these sponsorship levels are various 'chapter benefits' as a way of thanking and honoring the generosity of our loyal supporters.

Portions of the sponsorships are utilized to help fund the Alaska Chapter operations as well as donated to ASHRAE Research Promotion in the sponsor's name.

Below is a list of the sponsorship levels along with the 'chapter benefits' for each level of donation.

Corporate Donations:

Corporate donations to the Alaska ASHRAE Chapter are recognized in five tiers:

•Gold Sponsorship: \$5,000 & Above

- (1) Foursome team for annual golf tournament • (1) Hole sponsorship for golf tournament • (1) Seat for every chapter meeting -OR- (1) Range Sponsorship during Annual RP Shoot out • Announcement of your sponsorship during all meeting introductions and events. • Logo on website • Business card advertisement in newsletter (September – May) • RP Donor Level - ASHRAE Associate: (Gold Commemorative Coin & Plaque, Listed in the annual Investor Honor Roll)

•Forget-Me-Not Chapter Sponsorship: \$2,500 - \$4,999

- (1) Range Sponsorship during Annual RP Shoot out • (1) Hole Sponsorship during Annual Golf Tournament • Announcement of your sponsorship during all meeting introductions and events. • Logo on website • Business card advertisement in newsletter (September – May) • RP Donor Level - Major Donor – Silver: (Silver Commemorative Coin & Plaque, Listed in the annual Investor Honor Roll)

•Chapter Meeting Sponsor: \$1,000

- Sponsor's table available with display and literature prior to meeting (A website link and a hole or range sponsorship will be made available as an alternative for a virtual meeting sponsorship) • Logo on welcome message during monthly chapter meetings • Announcement of your sponsorship during the meeting introduction • Logo on website • Business card advertisement in newsletter (September – May) • RP Donor Level - Major Donor – Bronze: (Bronze Commemorative Coin & Plaque, Listed in the annual Investor Honor Roll)

•Web Sponsorship Package: \$350

- Logo on website • Business card advertisement in newsletter (September – May) • RP Donor Level – Honor Roll (Individuals only): (Receive blue desktop coin holder, Listed in the annual Investor Honor Roll)

•Newsletter Sponsorship: \$150

- Business card advertisement in newsletter (September – May)

For more information on corporate donations and the benefits please visit the "shop" section of our website at <https://ashraealaska.com/>.



Tom Fisher
President

Email: tomfisher@aaronak.com

2143 Standard Avenue
Fairbanks, Alaska 99701
website: www.aaronak.com

Phone: 907-452-3463
Mobile: 907-378-2804
Fax: 907-456-1315

Arctic Trace® Freeze Protection System
Submersible Heat Trace "Inside the Pipe or Vessel"

Installs into existing lines No excavation required

Water Supply—Water Well—Septic Tank & Sewer Line



www.arctictrace.com

(907) 522-3004



Certified to NSF/ANSI #1
Available upon request



(800) 627-2653 / WWW.COLEINDUST.COM



Specializing in Boiler

RENTALS • REPAIR • PARTS • SALES • SERVICE • TRAINING

New & Used Inventory Rental Equipment Extensive Parts Inventory
Factory-Trained Boiler/Burner Technicians 24/7 Emergency Services

CLEAVER-BROOKS CLEARFIRE & OTHER MODELS CLEAVER-BROOKS PRO-FIRE BLOWDOWN EQUIPMENT STACKS

WATER HEATERS CONDENSATE SYSTEMS ECONOMIZERS

SERVING THE NORTHWEST SINCE 1964

LYNNWOOD, WA (HQ) SPOKANE, WA YAKIMA, WA EUGENE, OR MEDFORD, OR TUALATIN, OR BOISE, ID ALASKA
(425) 774-6802 (509) 457-5015 (509) 457-5015 (503) 972-0595 (541) 826-2421 (503) 972-0595 (208) 465-8005 (800) 627-2653



Civil • Mechanical • Electrical • Structural • Geotechnical
Environmental • Land Surveying • Planning

Bright People. Powerful Solutions. Building Alaska.

Anchorage | Palmer
907.562.3252 (p) | 907.561.2273 (f)
www.crweng.com



AMC Engineers

High Performance Building Solutions
Mechanical, Electrical and Plumbing (MEP) Systems



Anchorage, Alaska | Bellingham, Washington | 907.257.9100 | www.amc-engineers.com



Civil • Structural • Electrical • Mechanical
Corrosion Control • Fire Protection
Commissioning • Landscape Architecture

800 F Street | Anchorage, Alaska 99501
ph 907.276.6664 • fax 907.276.5042

www.coffman.com



Glenn Evans

BRANCH MANAGER

Email gevans@chchydronics.com
Direct 907.268.2061
Cell 907.312.6046
CHCHYDRO.COM

907 E DOWLING RD, UNIT 14, ANCHORAGE, AK 99518

Simplify...

Find all of your Architecture, Engineering, and Survey services in one place



Since 1957

mail@designalaska.com www.designalaska.com
1-800-668-8919 1-907-452-1241



Rick Loewen
201 East 54th Avenue
Suite 100
Anchorage, AK 99518

Andrew Lee
phone (907) 561-4747
fax (907) 562-7473
www.jpsheldon.com

Hot Gas Bypass



- Building Automation
- HVAC Equipment
- HVAC Service
- Security Solutions
- Parts

LONG Building Technologies, Inc.
www.LONG.com

5660 B. Street
Anchorage, AK 99518
907.561.3044 TEL

1853 Standard Ave
Fairbanks, AK 99701
907.561.3044 TEL

MBA Consulting Engineers, Inc.

Dedicated to providing mechanical and electrical designs for safe, comfortable, and convenient building systems, within budget, and with minimum operating and maintenance costs.



3812 Spenard Road, Suite 200 - Anchorage, AK 99517
Tel: 907.274.2622 - Fax: 907.274.0914
Email: brads@mba-consulting.net

We enjoy and embrace any opportunity to solve an engineering problem!

Elena Hartford
Sales Engineer
907.202.0395 Mobile
907.562.6940 Office
EHartford@mechanicalsales.com

Jessi Cherry
General Manager
907-279-3320
907-317-8187
jcherry@msicontrols.com
www.msicontrols.com

An Employee Owned Company

PDC ENGINEERS
PLAN • DESIGN • CONSTRUCT

TROY NIBERT
Principal
Email: tnibert@GoPSi.com
9210 Vanguard Drive
Suite 2
Anchorage, AK 99507-4619

RSA Engineering, Inc.
MECHANICAL AND ELECTRICAL CONSULTING ENGINEERS

RSA has proudly provided Electrical and Mechanical design services in Alaska for more than 30 years.
907-276-0521
670 W. Fireweed Lane, Suite 200
www.rsa-ak.com

SIEMENS Industry

Siemens Industry, Inc.
Building Technologies Division
5333 Fairbanks Street
Suite B
Anchorage, AK 99518

Tel: +1 907 563-2242 Ext. 224
Direct: +1 907 273-2506
Mobile: +1 907 227-2199
Fax: +1 907 563-6139
jim.mcdonough@siemens.com
usa.siemens.com

Jim McDonough
Account Executive
Building Automation

STINEBAUGH & COMPANY

Connor Doyle
Sales Engineer

5730 B Street • Anchorage, AK 99518
cell: 865.201.9173 • phone: 907.345.8021
www.stinebaugh.com • cdoyle@stinebaugh.com

Engineered HVAC Solutions

STINEBAUGH & COMPANY

Doug Franklin
President / CEO

5730 B Street • Anchorage, AK 99518
phone: 907.345.8021 • cell: 907.306.2939
www.stinebaugh.com • dfranklin@stinebaugh.com

Engineered HVAC Solutions

This page will be continually updated. Please get your business card in for the year of 2020-2021. Business cards run from Sept 2020 to May 2021. For sponsorship opportunities and costs, please contact Philip.Hayes.2@outlook.com

Hot Gas Bypass

**STINEBAUGH
& COMPANY**

Zach Keller
Sales Engineer

5730 B Street • Anchorage, AK 99518
phone: 907.345.8021 • direct: 907-264-6004
www.stinebaugh.com • zkeller@stinebaugh.com

Engineered HVAC Solutions

**STINEBAUGH
& COMPANY**

George Hearin
Sales Engineer

5730 B Street • Anchorage, AK 99518
phone: 907.345.8021 • fax: 907.345.8022
www.stinebaugh.com • ghearin@stinebaugh.com

Engineered HVAC Solutions



**We have a Solution
Built for You.**

Trane is your HVAC Solutions Provider
Equipment • Controls • Service • Parts

Craig Rohwer
crohwer@trane.com

Jordan Privoznik
jprivoznik@trane.com

Alaska Trane | (907) 267-7400 | www.trane.com



Troy Crow, Jr.
PMP

Account Executive
Alaska Sales Office

*Liebert Products & Services

VERTIV.

Architects of Continuity™

O 907 222 6593
 M 907 360 6856
 F 907 562 0777
 E troy.crow@Vertiv.com

5001 Arctic Blvd
Unit #1
Anchorage, AK 99503
United States
Vertiv.com



Nathan Lang
Alaska Territory Manager

Email: nathan.lang@victaulic.com Cell: 907-205-9445